

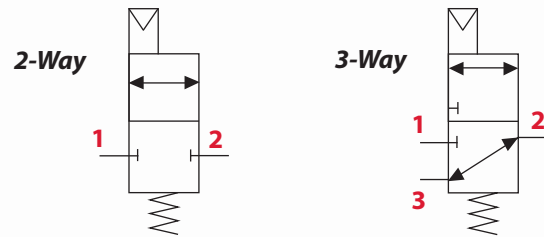
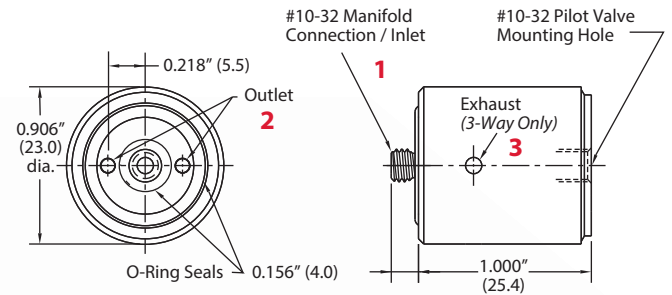
# EV VALVE BOOSTERS



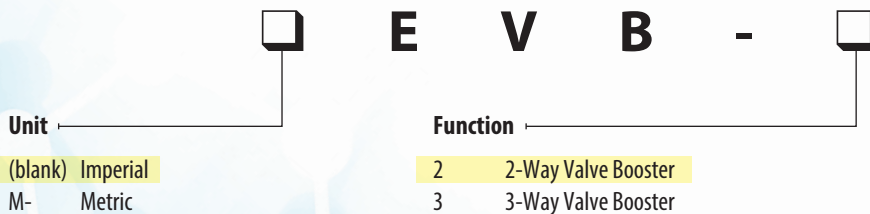
<b>Function</b>	2-way or 3-way normally-closed
<b>Material, Body</b>	Nickel-plated brass, acetal, stainless steel
<b>Material, Seals</b>	Nitrile
<b>Max. Flow</b>	176 l/min @ 100 psig (7 bar)
<b>Medium</b>	Air
<b>Operating Pressure</b>	20 to 150 psig (1.4 to 10.3 bar)
<b>Ports</b>	Inlet and outlet through manifold
<b>Response Time</b>	20 ms @ 20 psig (1.4 bar) 13 ms @ 100 psig (7 bar) nominal
<b>Temperature Range</b>	30 to 180°F (-1 to 82°C)
<b>More Details</b>	<a href="http://clippard.com/link/evb">clippard.com/link/evb</a>

Use only normally-closed 3-way pilot valves in conjunction with this booster.

These pressure piloted manifold mount valves are designed to fit the standard footprint of the EV valve and to be piloted by a manifold mount 3-way Clippard EV valve (not included). Output from the valve actuates the booster to produce outputs up to 175 l/min at 100 psig (7 bar). The EVB combines the low wattage, long life, and cool running of the EV valve with quick response and high flow.



## ORDERING INFORMATION



**Example Part Number:**

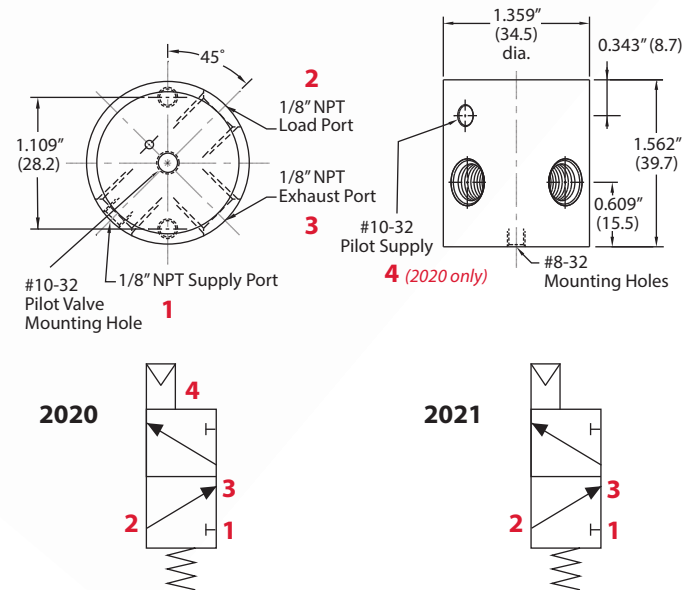
**EVB-2**



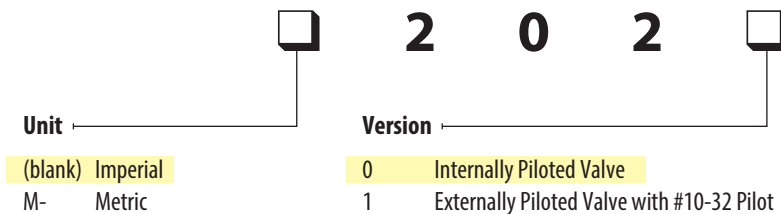
<b>Function</b>	3-way normally-closed
<b>Material, Body</b>	Anodized aluminum, stainless steel
<b>Material, Seals</b>	Nitrile
<b>Max. Flow</b>	620 l/min @ 100 psig (7 bar)
<b>Medium</b>	Air
<b>Operating Pressure</b>	30 to 100 psig (2 to 7 bar)
<b>Pilot Pressure</b>	60% of supply pressure
<b>Ports</b>	Inlet and outlet, exhaust 1/8" NPT; pilot supply on 2020 is #10-32 female
<b>Response Time</b>	20 ms
<b>More Details</b>	<a href="http://clippard.com/link/evb">clippard.com/link/evb</a>

Use only normally-closed 3-way pilot valves in conjunction with these boosters.

These pressure piloted valves are designed to be piloted by a manifold mount Clippard EV valve (not included). Output from the valve actuates the booster to produce outputs up to 620 l/min at 100 psig (7 bar). Combines low wattage, long life, and cool running of the EV valve with quick response and high flow. Available internally or externally piloted.



## ORDERING INFORMATION



### Example Part Number:

2020

For more info, scan the QR code or visit [clippard.com/link/efb](http://clippard.com/link/efb)

